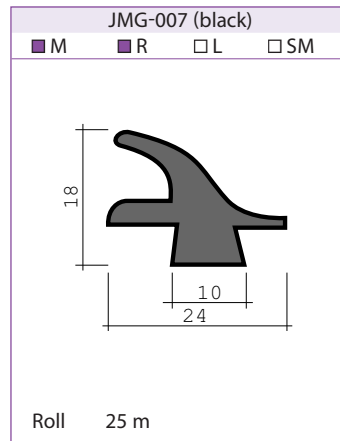
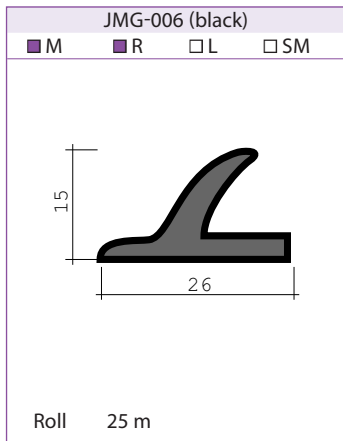
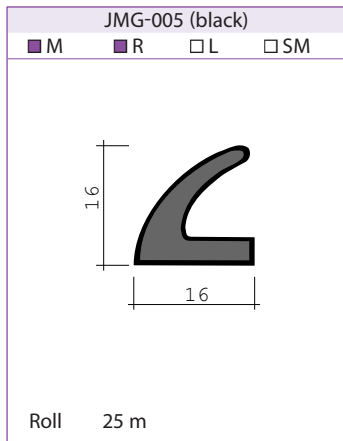
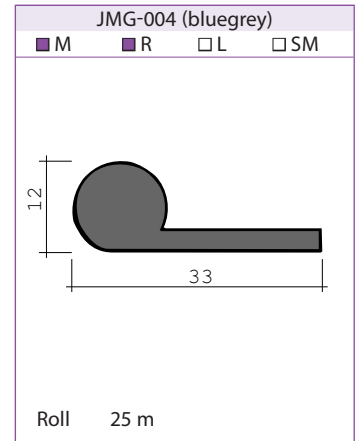
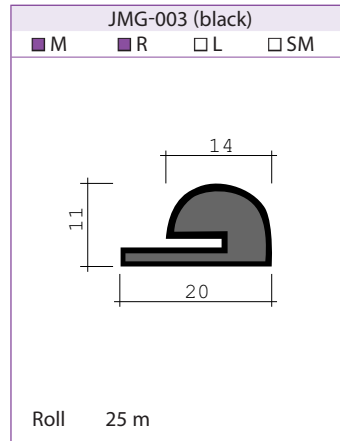
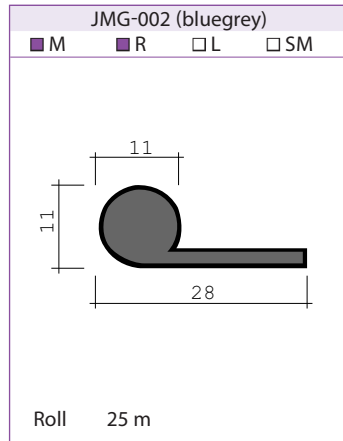
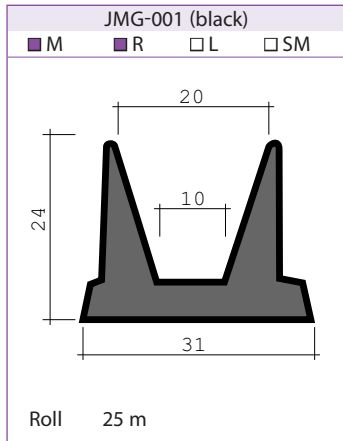




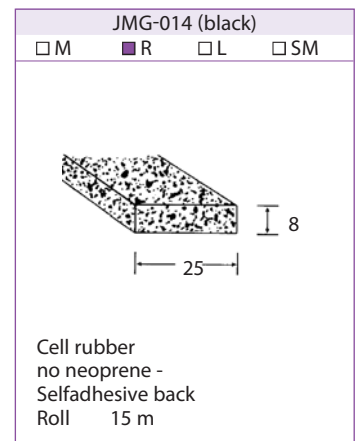
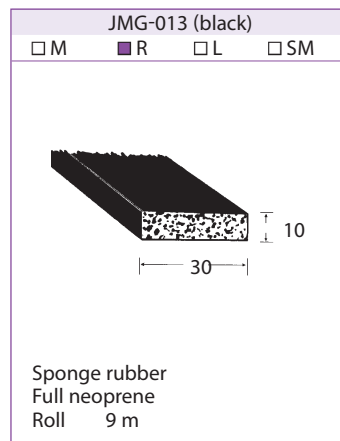
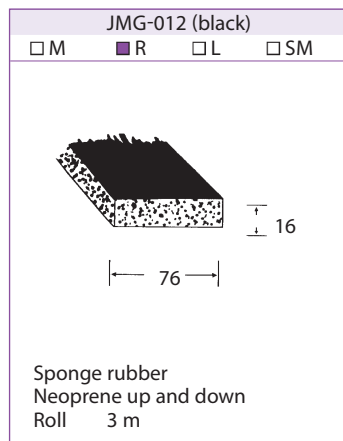
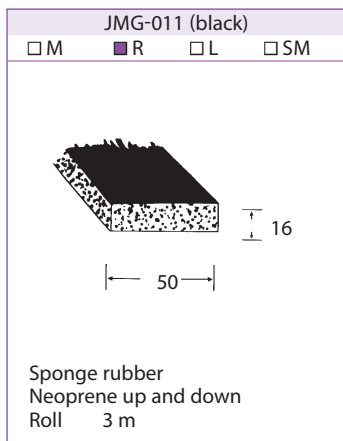
GASKETS

LINUM® - GASKETS FOR COLD ROOM DOORS



LINUM® - GASKETS FOR REFRIGERATORS

- Sponge rubber = closed cells - Cell rubber = open cells
- Sponge rubber: always with neoprene coating
- Available on rolls, not per linear meter



M = per linear meter
 L = on length

R = on roll
 SM = on request (frame to size)

GASKETS

RUBBER GASKETS FOR COLD- AND FREEZING ROOMS

Tot -50°C

67 (black)
 M R L SM

Roll 25 m

252 (black)
 M R L SM

Type Length Profile for type 67
 5 m

250 (black)
 M R L SM

Roll 20 m

3362 (black)
 M R L SM

Type Length Profile for type 250
 3,4 m

2311 (black)
 M R L SM

Roll 24 m

8511 (black)
 M R L SM

Roll 12 m

3312 (black)
 M R L SM

Type Length Profile for 2311/8511
 2,5 m

2313 (black)
 M R L SM

Type Corner for 2311/8511

3350 (black)
 M R L SM

Length 3,4 m

3362 (black)
 M R L SM

Type Length Profile for type 3350
 3,4 m

3461 (black)
 M R L SM

Roll 25 m

3462 (black)
 M R L SM

Type Corner for 3461

502 (black)
 M R L SM

Length 4 m

4451 (black)
 M R L SM

Roll 10 m

3352 (black)
 M R L SM

Type Length Profile for 4451/3461
 2 m

4453 (black)
 M R L SM

Type Corner for 4451

GASKETS

RUBBER GASKETS FOR COLD- AND FREEZING ROOMS

JCR-001 (grey)
 M R L SM

Roll 25 m

JCR-002 (grey)
 M R L SM

Roll 25 m

JCR-003 (grey)
 M R L SM

Roll 25 m

JCR-004 (bluegrey)
 M R L SM

Roll 25 m

JCR-005 (bluegrey)
 M R L SM

Roll 25 m

JCR-006 (black)
 M R L SM

Roll 25 m

JCR-007 (black plastic)
 M R L SM

Length 2,5 m

JCR-008 (black)
 M R L SM

Roll 25 m

JCR-009 (black)
 M R L SM

Roll 25 m

JCR-010 (black)
 M R L SM

Roll 25 m

JCR-011 (black)
 M R L SM

Roll 40 m

JCR-012 (black)
 M R L SM

Length 3,94 m

JCR-013 (black)
 M R L SM

Length 2,01 m

JCR-014 (black)
 M R L SM

Roll 25 m

JCR-015 (black)
 M R L SM

Roll 25 m

F16 (white)
 M R L SM

Roll 25 m

F27 (white)
 M R L SM

Roll 25 m

GASKETS

RUBBER GASKETS FOR COLD- AND FREEZING ROOMS

JCR-016 (black)
 M R L SM

Roll 25 m

JCR-017 (grey)
 M R L SM

For doors
 Profile 3x28 mm
 Roll 25 m

JCR-018 (black)
 M R L SM

For doors
 Profile 3x28 mm
 Roll 25 m

JCR-025 (grey)
 M R L SM

Roll 32 m

JCR-040 (black)
 M R L SM

Roll 25 m

JCR-019 (black)
 M R L SM

Roll 37 m

JCR-020 (black)
 M R L SM

Roll 32 m

JCR-026 (grey)
 M R L SM

Roll 32 m

JCR-041

Type Glued corner for type JCR-040

JCR-021 (black)
 M R L SM

Roll 25 m

JCR-022 (black)
 M R L SM

Roll 26 m

JCR-023 (black)
 M R L SM

Roll 36 m

JCR-024 (white)
 M R L SM

Roll 48 m

M = per linear meter
 R = on roll
 L = on length
 SM = on request (frame to size)

GASKETS

SILICONE GASKETS FOR OVEN DOORS

No framework possible

JSO-001 (dark grey)
 M R L SM

Roll 30 m
 Max. T° +250°C

JSO-002 (beige)
 M R L SM

Roll 25 m
 Max. T° +300°C

JSO-003 (dark grey)
 M R L SM

Roll 25 m
 Max. T° +200°C

JSO-004 (dark grey)
 M R L SM

Roll 25 m
 Max. T° +250°C

JSO-005 (dark grey)
 M R L SM

Roll 25 m
 Max. T° +250°C

JSO-006 (dark grey)
 M R L SM

Roll 25 m
 Max. T° +250°C

JSO-007 (dark grey)
 M R L SM

Roll 25 m
 Max. T° +250°C

JSO-008 (dark grey)
 M R L SM

Roll 25 m
 Max. T° +250°C

JSO-009 (lichtgrey)
 M R L SM

Roll 25 m
 Max. T° +250°C

JSO-010 (black)
 M R L SM

Roll 25 m
 Max. T° +200°C

JSO-011 (lichtgrey)
 M R L SM

Roll 25 m
 Max. T° +250°C

JSO-012 (dark grey)
 M R L SM

Roll 25 m
 Max. T° +200°C

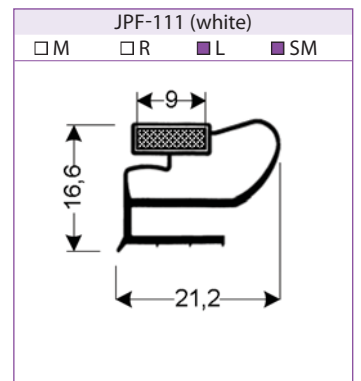
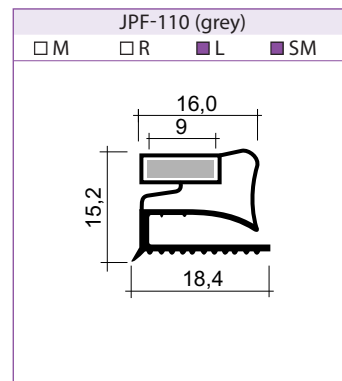
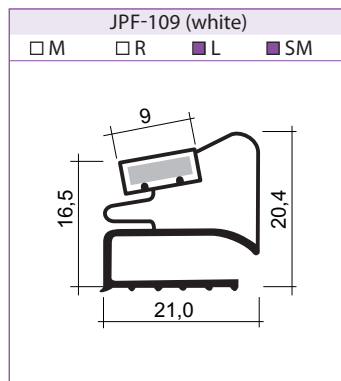
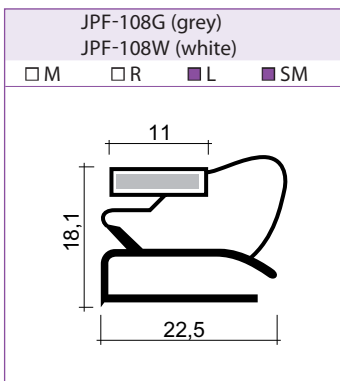
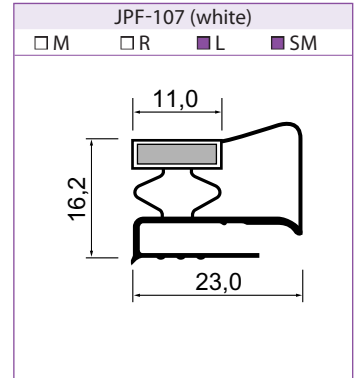
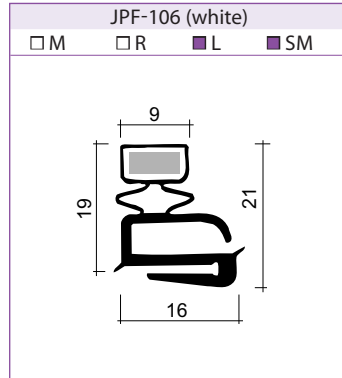
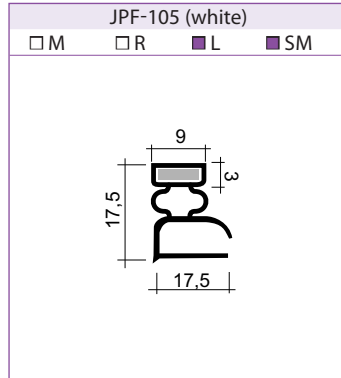
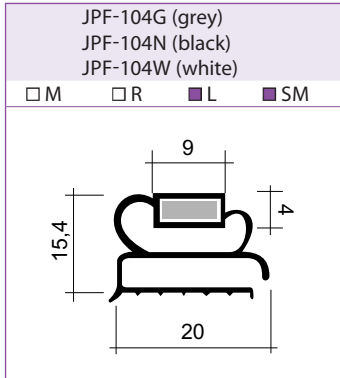
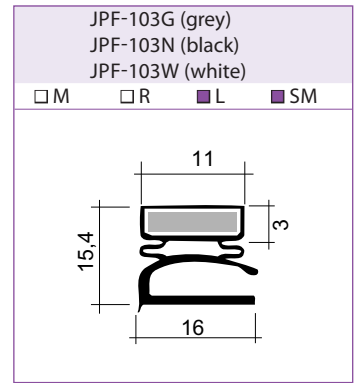
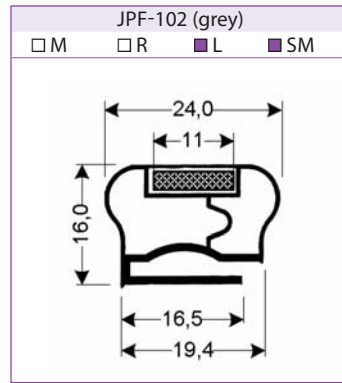
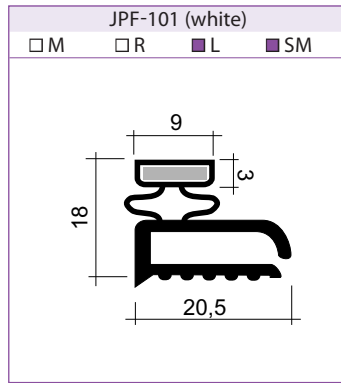
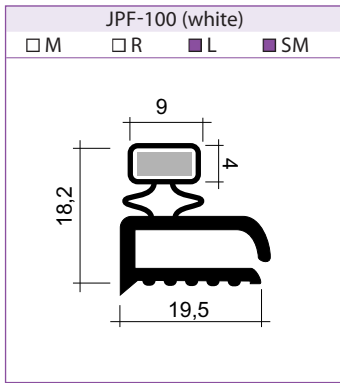
JSO-013 (black)
 M R L SM

Spongesilicone
 Roll 25 m
 Max. T° +150°C

M = per linear meter
 R = on roll
 L = on length
 SM = on request (frame to size)

GASKETS

LINUM® - FLAT PROFILES WITH MAGNET
 Lengths of 2,55 m - Framework on demand



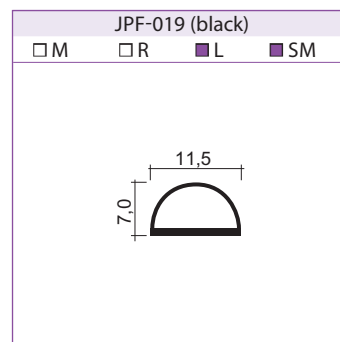
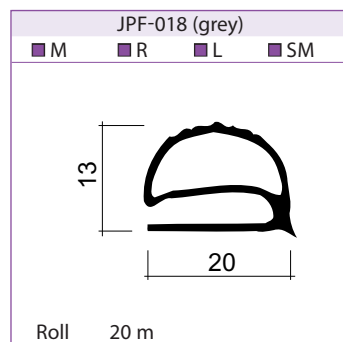
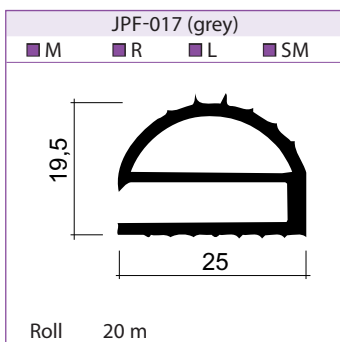
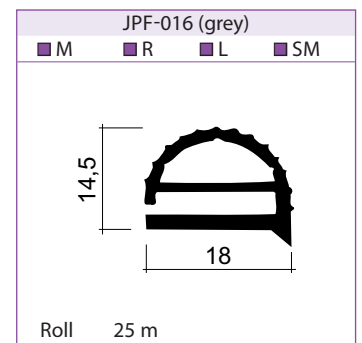
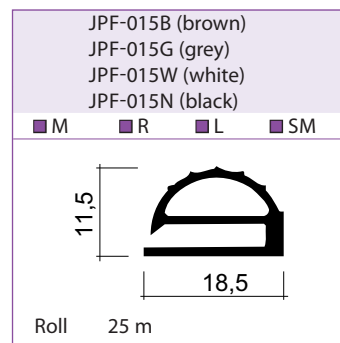
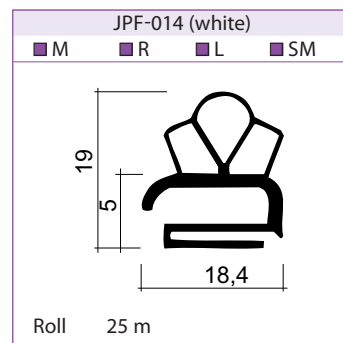
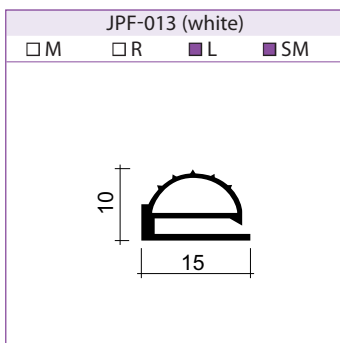
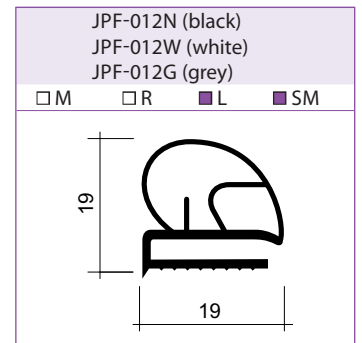
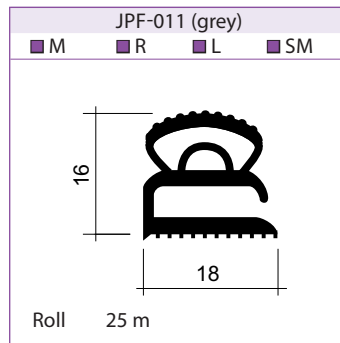
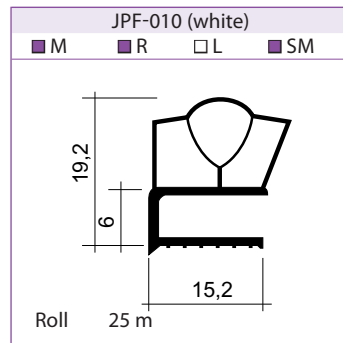
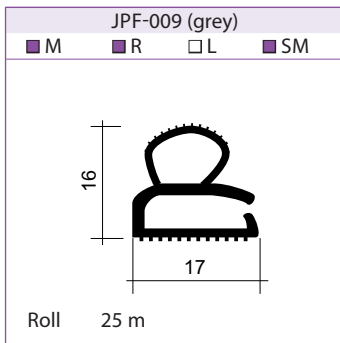
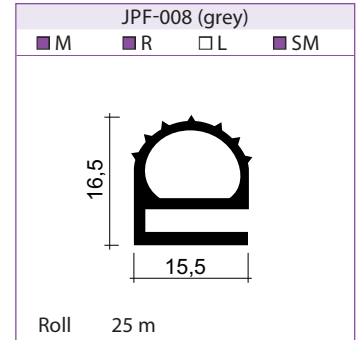
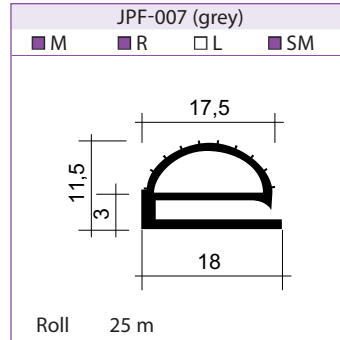
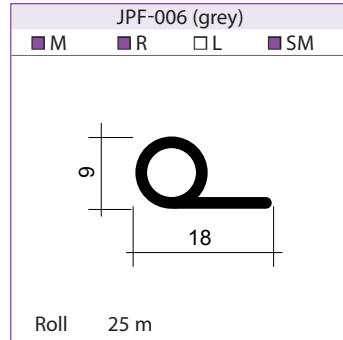
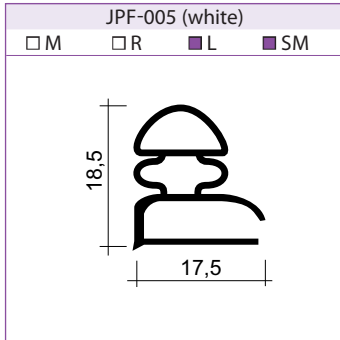
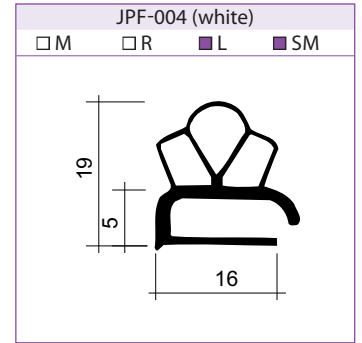
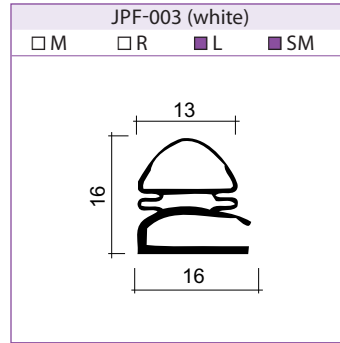
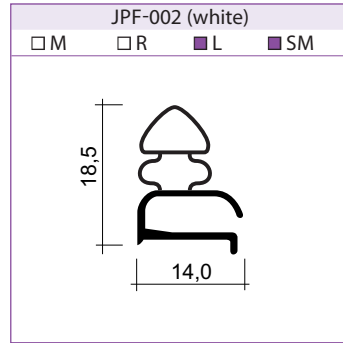
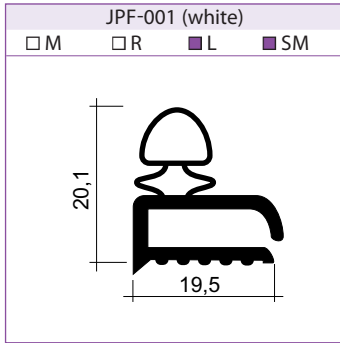
M = per linear meter
 L = on length

R = on roll
 SM = on request (frame to size)

GASKETS

FLAT PROFILE WITHOUT MAGNET

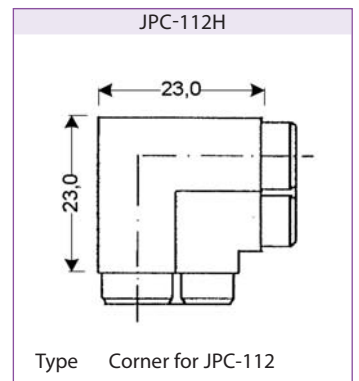
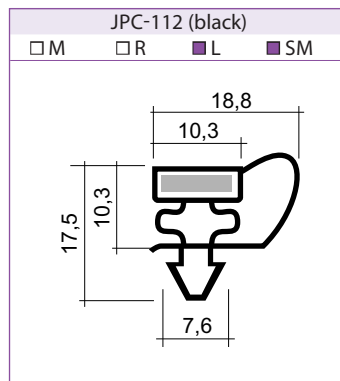
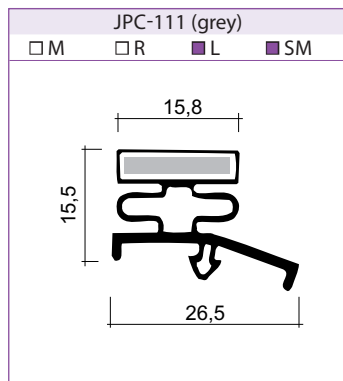
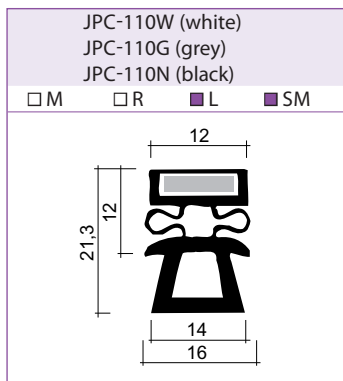
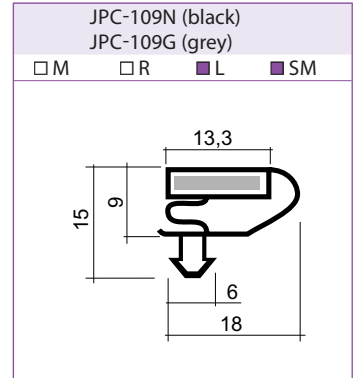
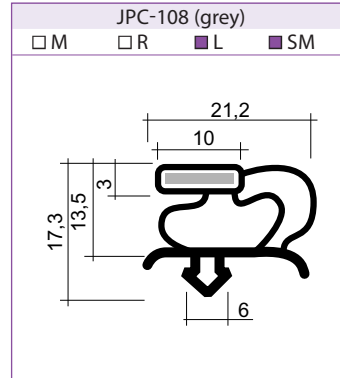
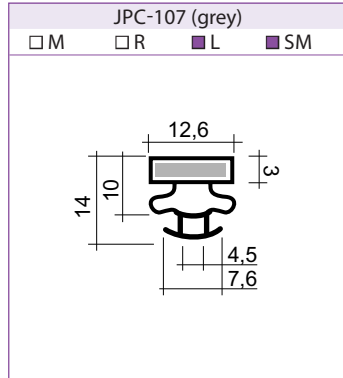
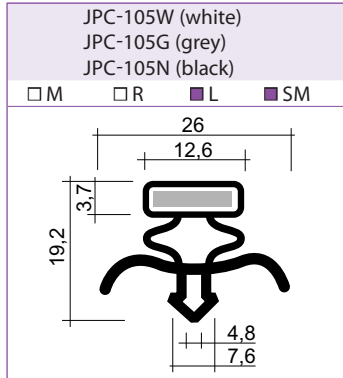
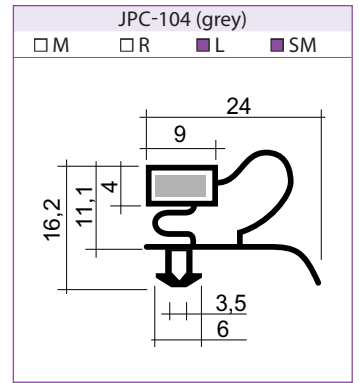
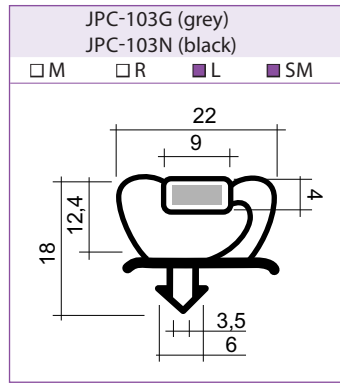
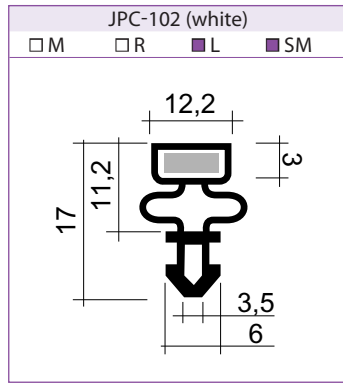
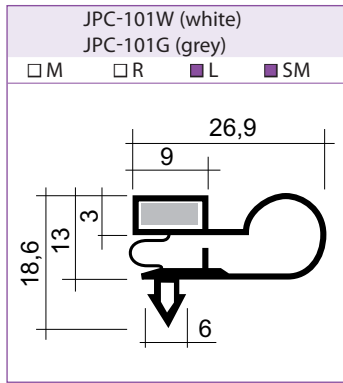
Lengths of 2,55 m - Framework on demand



GASKETS

MAGNETIC PVC SNAP-ON PROFILES

Lengths of 2,55 m - Framework on demand



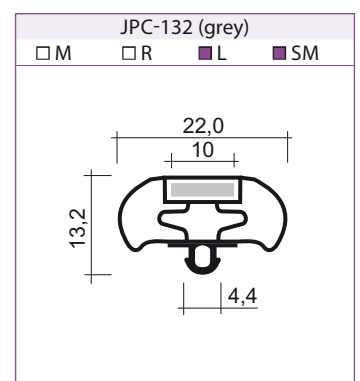
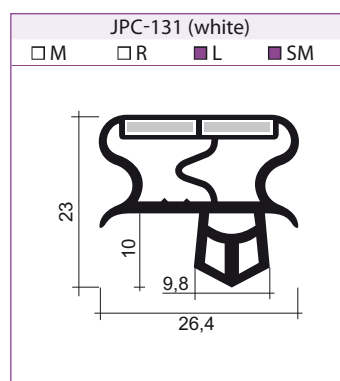
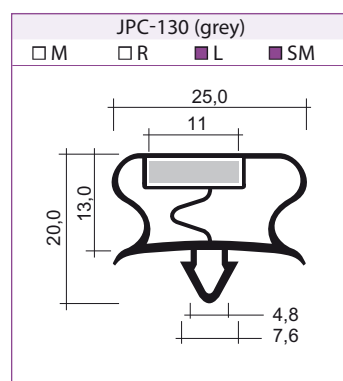
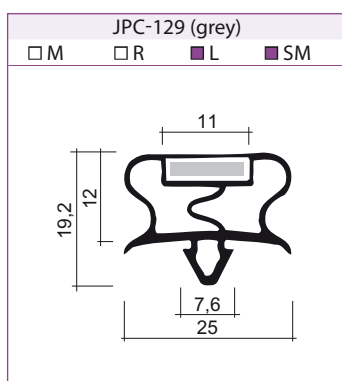
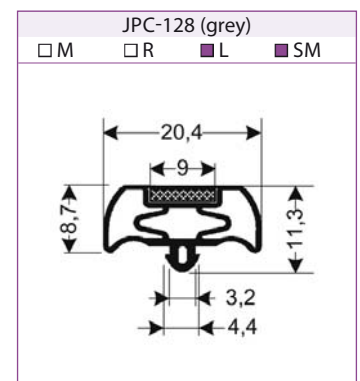
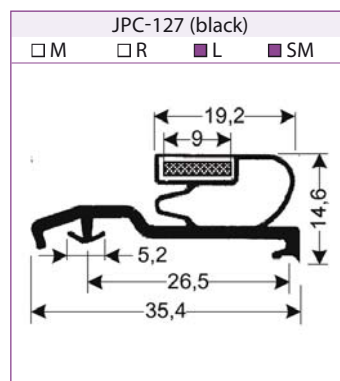
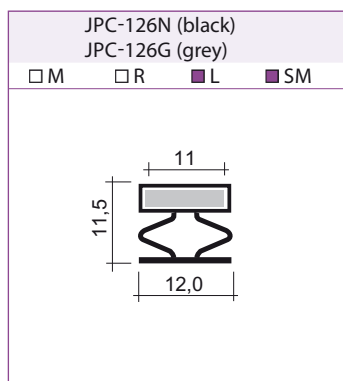
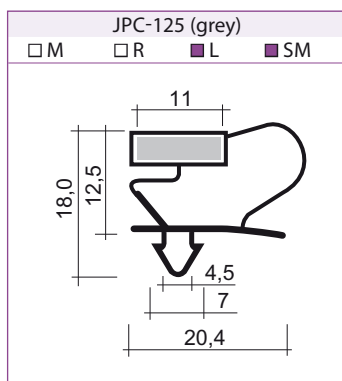
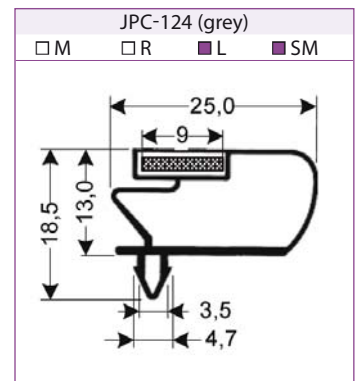
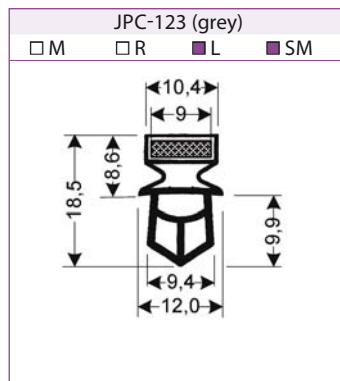
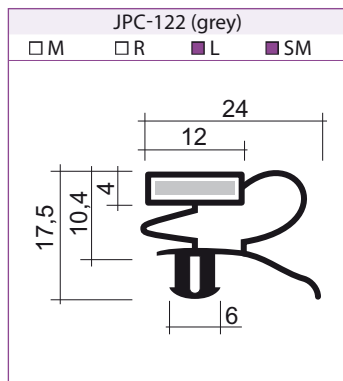
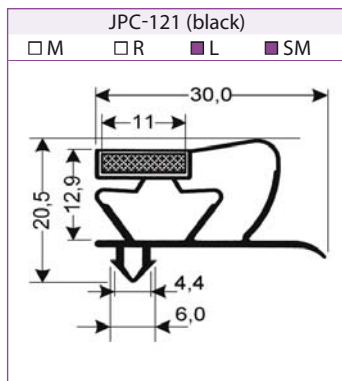
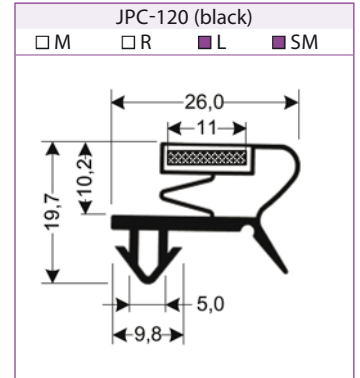
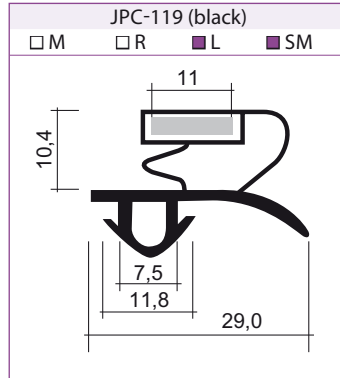
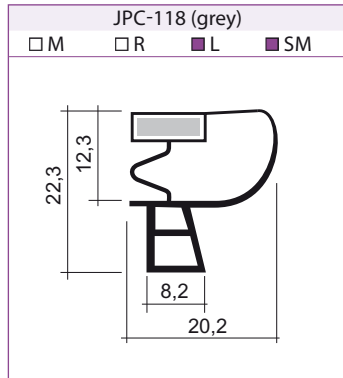
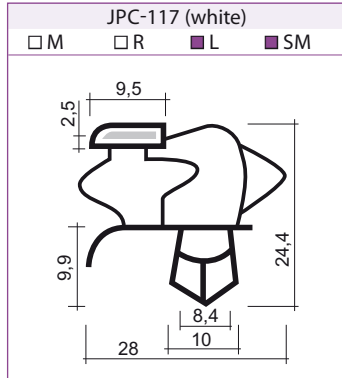
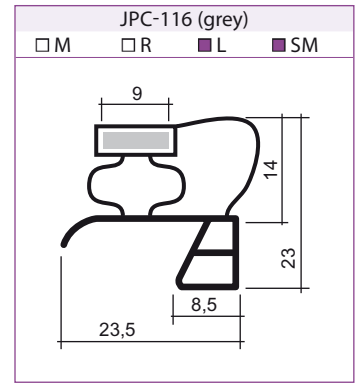
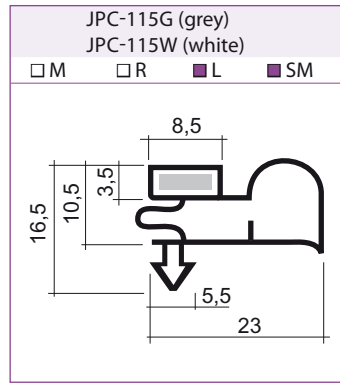
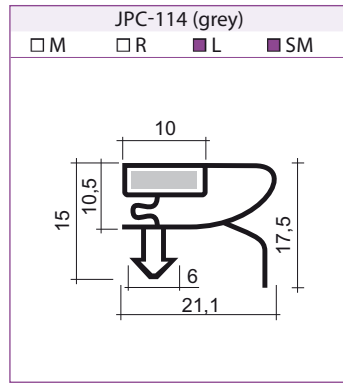
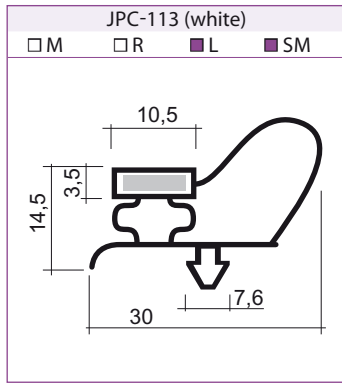
M = per linear meter
 L = on length

R = on roll
 SM = on request (frame to size)

DICHTINGEN

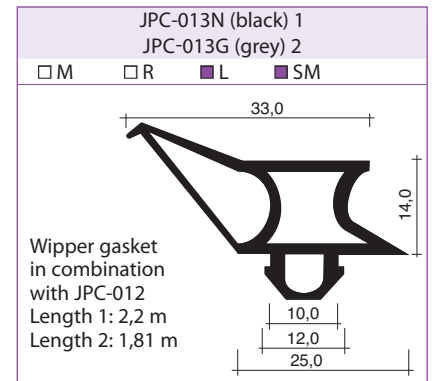
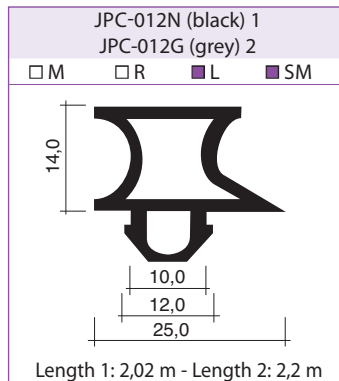
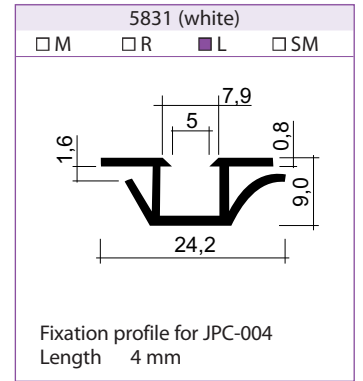
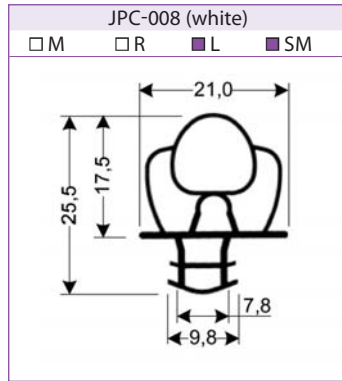
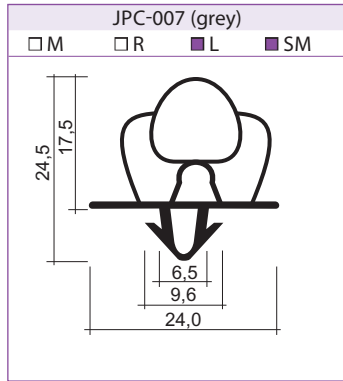
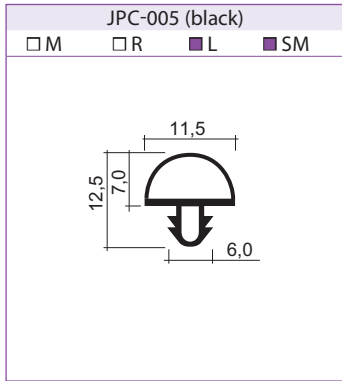
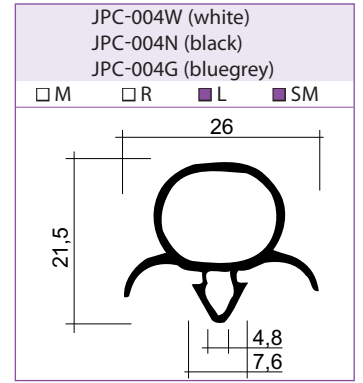
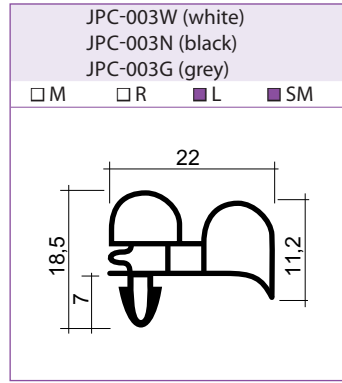
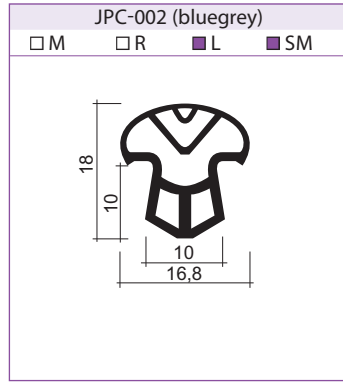
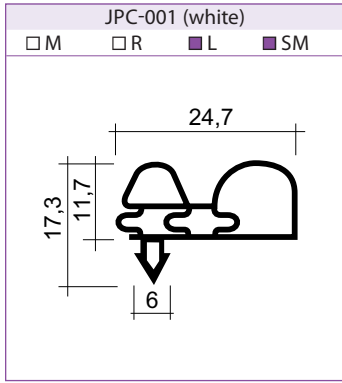
LINUM® - PVC INDRUKPROFIEL MET MAGNEETSTRIP

Lengths van 2,55 m - Maatwerk op vraag (zie formulier)

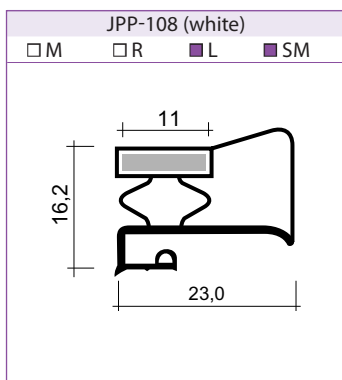
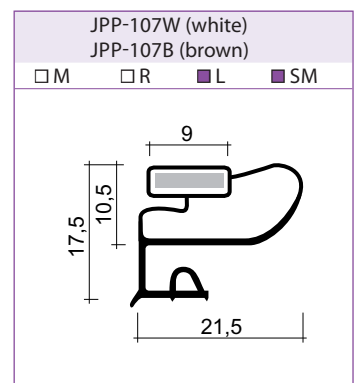
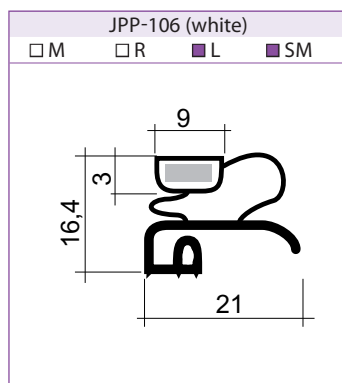
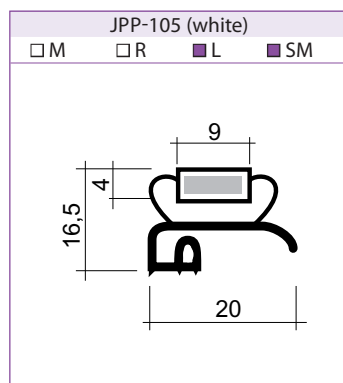
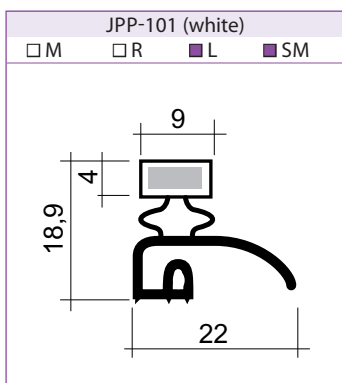


GASKETS

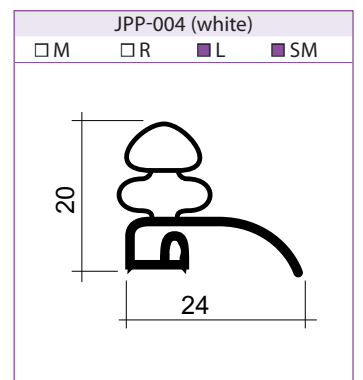
NON-MAGNETIC PVC SNAP-ON PROFILE
Lengths of 2,55 m - Framework on demand



MAGNETIC PVC CRALE PROFILES
Lengths of 2,55 m - Framework on demand



LINUM® - NON-MAGNETIC PVC CRALE PROFILES
Lengths of 2,55 m - Framework on demand



GASKETS FOR BAR AND SMALL REFRIGERATORS

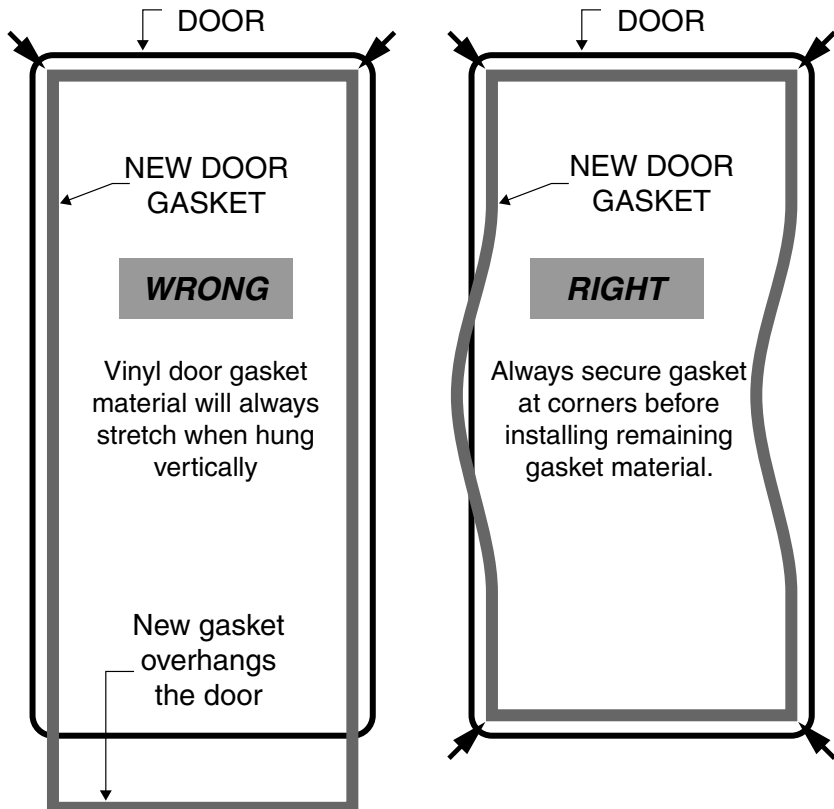
WHY DOES MY NEW DOOR GASKET SEEMS TO BE TOO LONG ?

We sometimes receive calls from customers who claim that we have shipped the wrong size door gasket. Upon our return inspection, we inspect the returned gasket only to discover that the size is as the customer requested.

When we see a problem such as this, we know from experience that our customer just needs a little reminder that vinyl door gaskets do have weight and when hung vertically from the top of the door, the gasket will most likely stretch in length. This stretching is due to the flexible nature of vinyl.

It is important to remember that when installing the new gasket, that the corners, both top and bottom, must be secured first. Failure to follow this procedure may result in having a door gasket that is too long for the door.

It is also important to remember that when replacing a door gasket, that the new gasket be layed flat and then measured while still in a horizontal position. Only then should the old gasket be removed and the new gasket installed.



Caution :

Never use harsh abrasive cleaners on vinyl door gaskets. The use of chemical cleaners on door gaskets can cause the vinyl gasket to break down, and will dramatically reduce the life of the product.

GENERAL TIPS TO ORDER AND TO INSTALL CUSTOM MADE GASKET FRAMES

Before installing

- The gasket must first get used to the ambient temperature before defolding.
- Always take the gasket at the corners in order not to break the magnetic strip.
- Clean thoroughly the surfaces on which the gasket has to be mounted (door or cabinet contours)

Installation

- Gaskets are folded for shipping. The gasket has some folds when defolding. This folds are temporary and disappear quickly.
- The use of a heat gun or hair dryer to soften the vinyl will aid in reshaping any remaining distortions.
- Always secure gasket at corners before installing remaining gasket material.

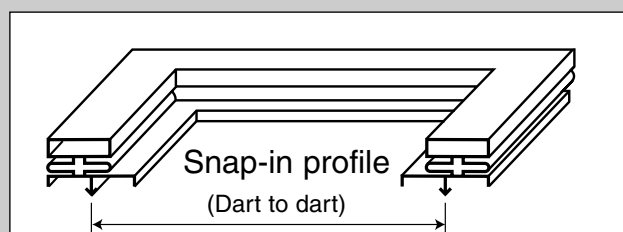
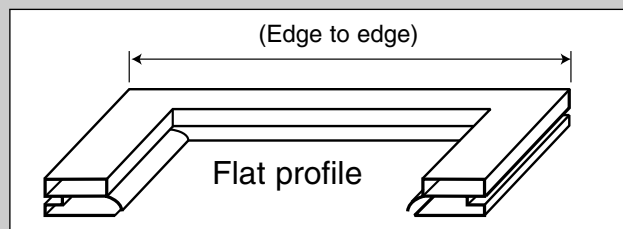
Magnetic gaskets

- Magnetic gaskets show shortly after their installation a lesser force of attraction. Magnetic gaskets always need a few weeks to develop a maximum attraction.

Repair :

- Teared gaskets can be repaired by welding the gap or by glueing with special glue for gaskets.

Which dimensions do I have to specify ?





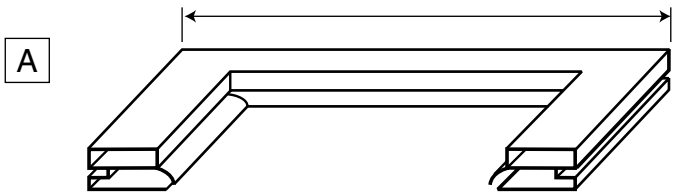
LINUM EUROPE NV
 Vijverhoek 53
 B-8520 KUURNE
 Tél. : ++32 (0)56 35 92 94
 Fax : ++32 (0)56 35 88 47
 E-mail : info@linum.eu
 www.linum.eu



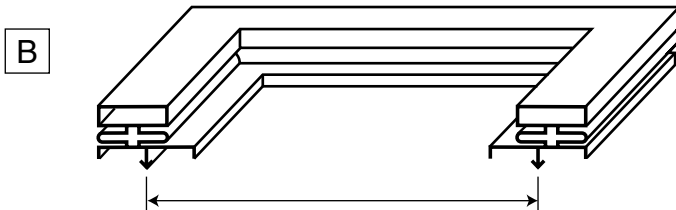
Quote

Order

Which dimensions do I have to specify ?



Flat profile (screw or glue)
Specify the external dimensions (edge to edge) !



Snap-in profile
Specify dimensions from dart to dart

Type : **A** (edge to edge)
 B (dart to dart)

Height : mm

Width : mm

Number of magnetic sides ?

3 (indicate hinge side)

4

Which gasket do I need ?

Specify the requested gasket :

Profile No: Colour : Quantity :

Brand refrigerator/freezer

Name : Phone No :

Street : Fax No :

Zip : E-mail :

City : Contact :

Purchase order No : Signature :

Delivery time : 2 to 3 weeks after receiving order form.
Remark : Custom made gasketframes are not returnable.
Please fill out the exact specifications

PLEASE DO NOT WRITE IN THIS FIELD.

NET PRICE/PIECE (WITHOUT VAT, EX WORKS) :

.....